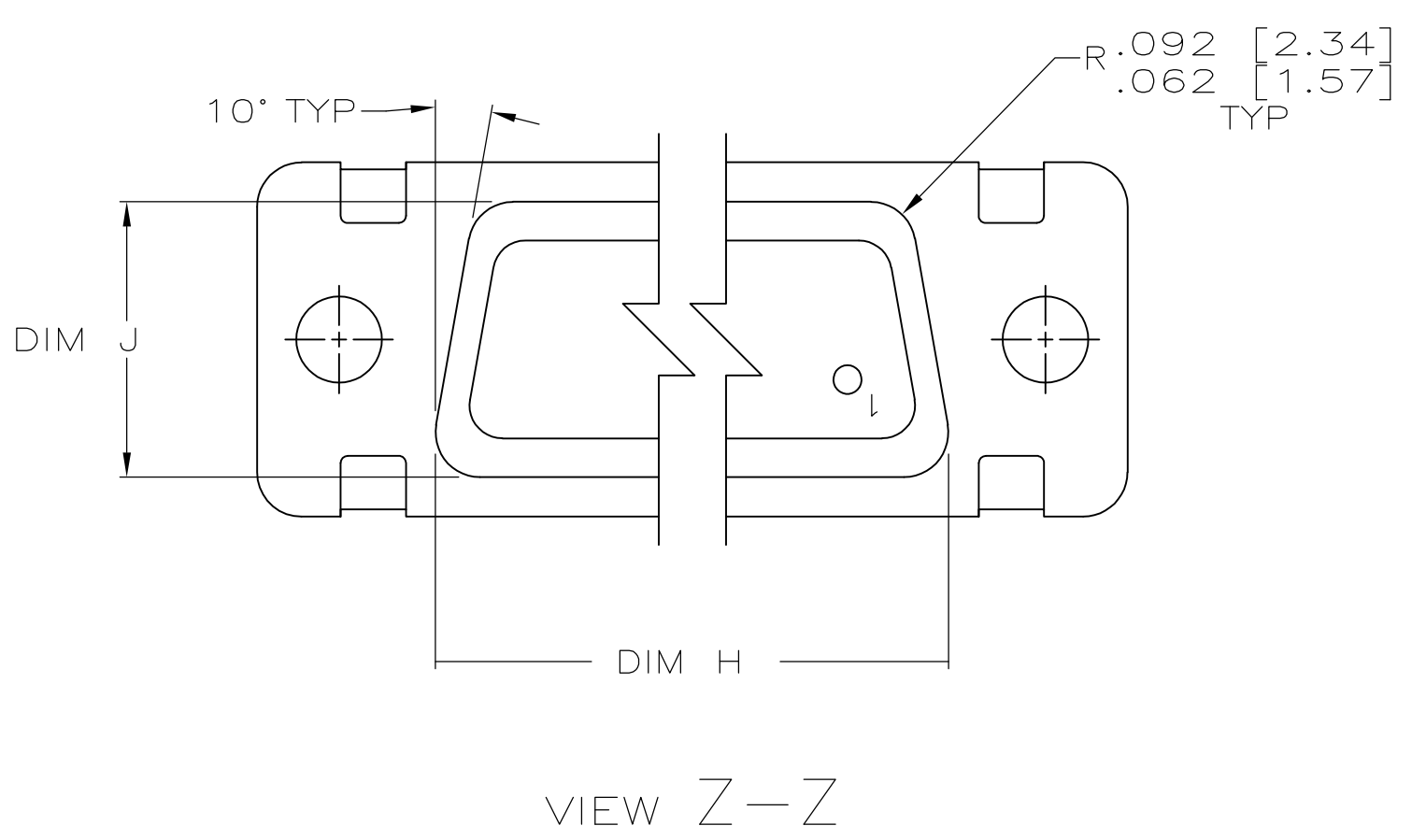
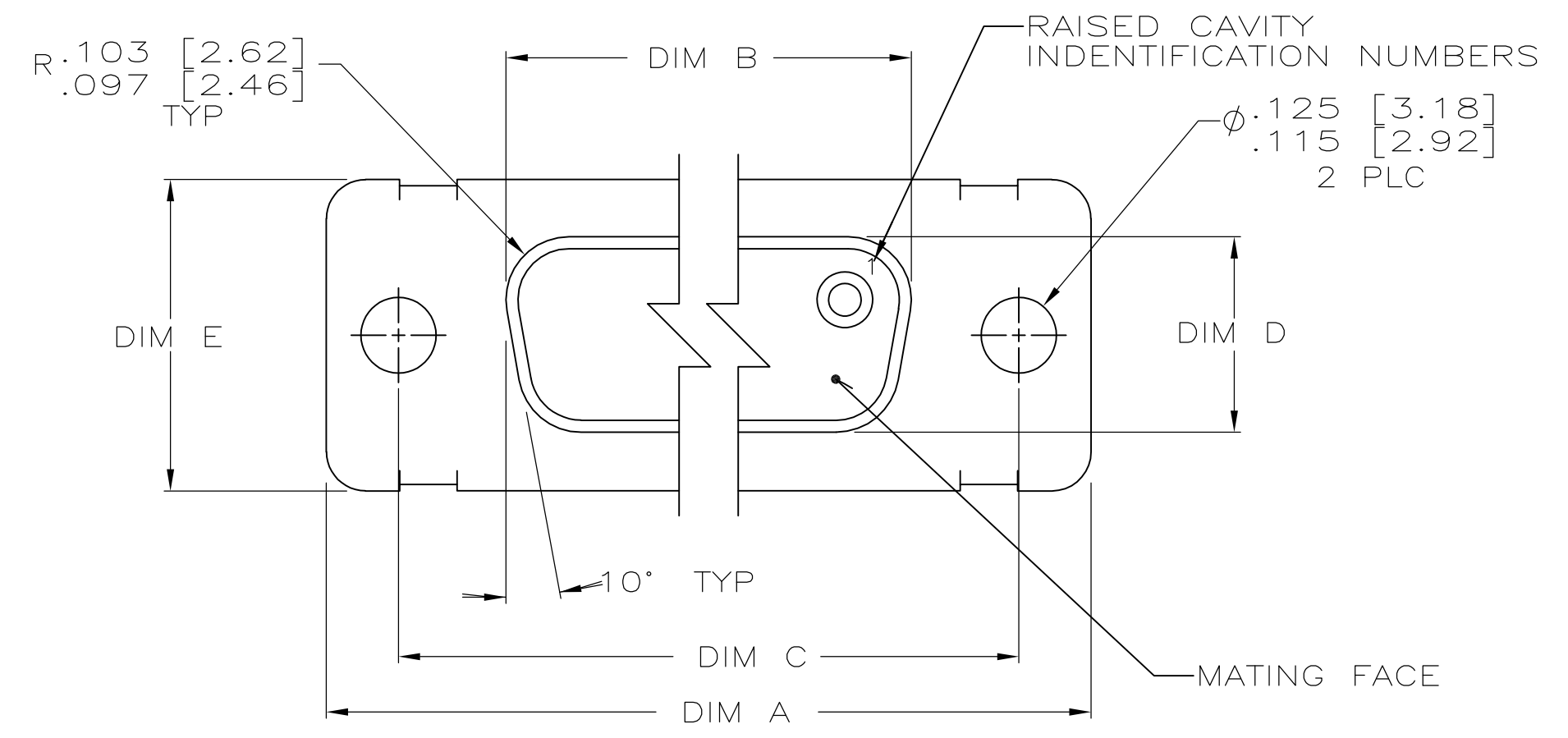
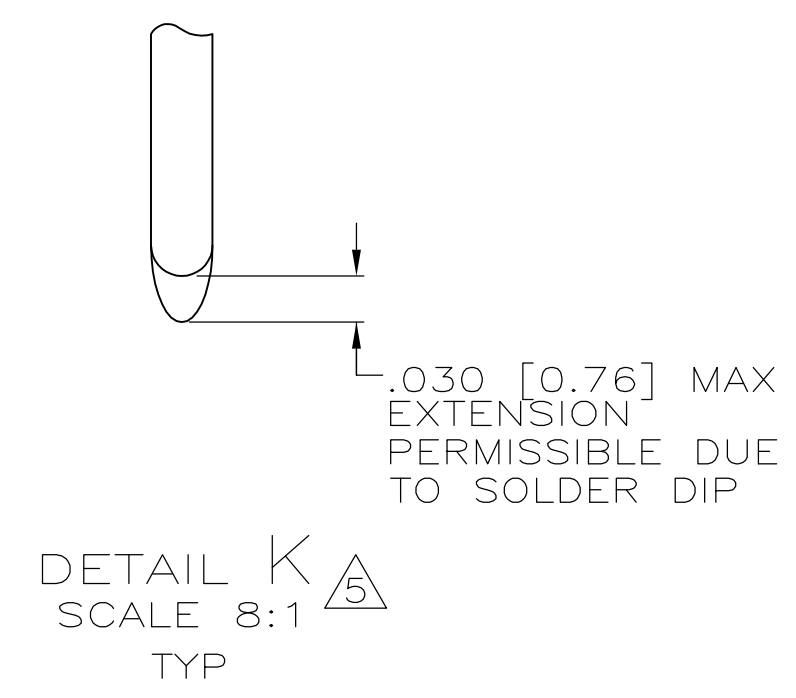
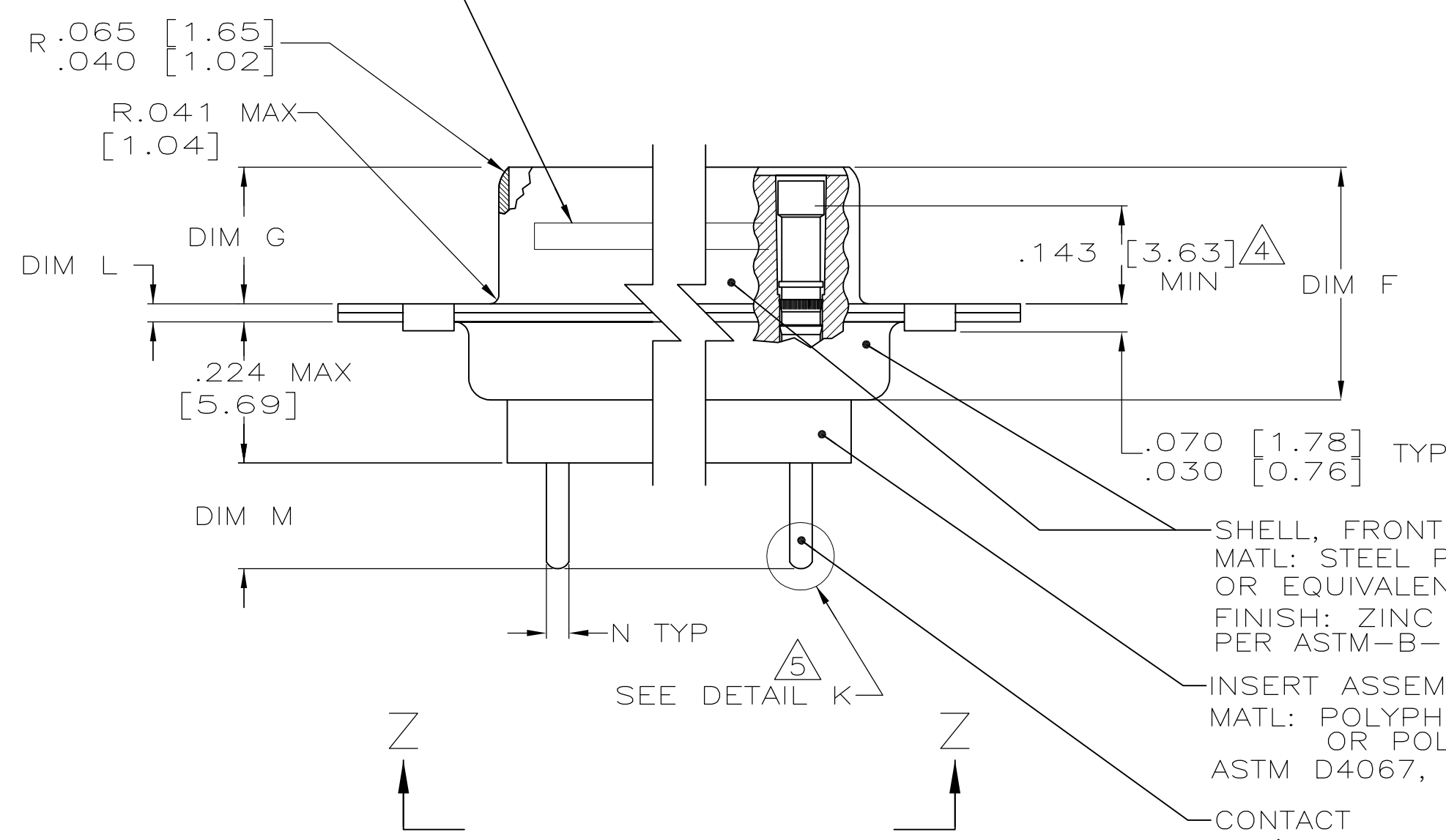


REVISONS		DATE	BY	APP'D
D	REV PER ECO-07-017102	31AUG07	PY	BW



- 1 SEE SHEET 2 FOR RECOMMENDED P.C. BOARD LAYOUT. TRUE POSITION TOLERANCE FOR P.C. BOARD LAYOUT IS .010 [0.25] AT MAX MATERIAL CONDITION. SUGGESTED BOARD THICKNESS IS .094 [2.39]
- 2 THE CONNECTORS DESCRIBED IN THIS DOCUMENT WILL MATE WITH ANY PLUG CONNECTOR WITH THE SAME INSERT ARRANGEMENT.
- 3 MARKED WITH .047 [1.19]-.062 [1.57] HIGH CHARACTERS. FAR SIDE REFERS TO THE WIDE SIDE OF THE KEYSTONE. NEAR SIDE REFERS TO THE NARROW SIDE OF THE KEYSTONE. IF THE FRONT SHELL IS TOO SMALL FOR "AMP", AMP PART NUMBER AND DATE CODE, THEN SPLIT AS FOLLOWS:
 A. AMP PART NUMBER ON REAR SHELL, NEAR SIDE.
 B. "AMP" AND DATE CODE ON FRONT SHELL, NEAR SIDE.
- 4 POINT OF ELECTRICAL ENGAGEMENT - AS MEASURED WITH A .0390 [0.991]-.0393 [0.998] DIA SQUARE ENDED TEST PIN.
- 5 SOLDER DIPPED PER MIL-STD-2000 COMPOSITION Sn63 CONFORMING TO QQ-S-571. COVERAGE SHALL BE COMPLETE TO A DISTANCE .020 [0.51] MAX FROM INSERT ASSEMBLY.
- 6 SPACERS (QTY 2) ARE SUPPLIED WITH CONNECTORS (NOT ATTACHED TO THE CONNECTOR).
- 7. DIMENSIONS APPLY PRIOR TO SOLDER DIPPING.

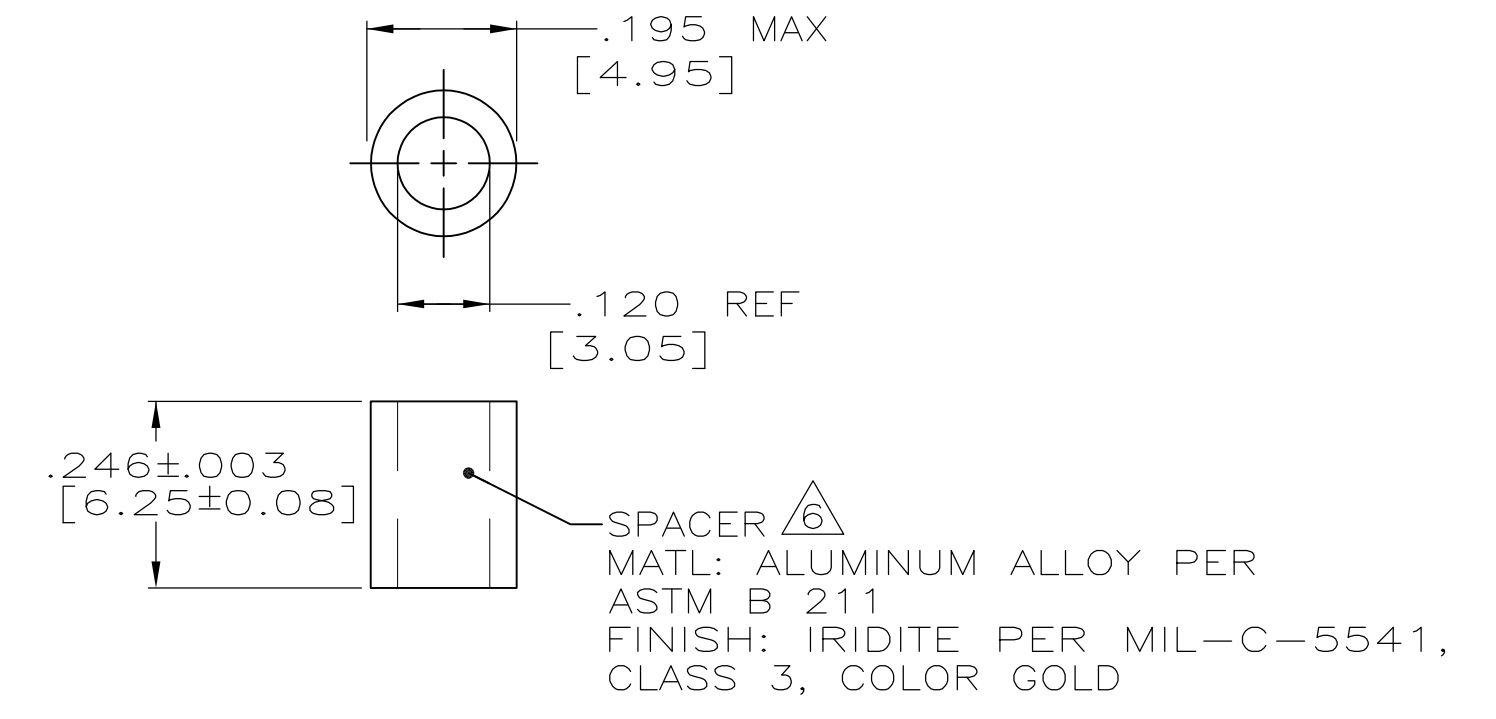
3 MARK AMP, AMP PART NO AND DATE CODE, FAR SIDE.



SHELL, FRONT & REAR
 MATL: STEEL PER ASTM-A-109 OR EQUIVALENT
 FINISH: ZINC PLATED .000200 [0.0050] MIN THICK PER ASTM-B-633; YELLOW CHROMATE

INSERT ASSEMBLY
 MATL: POLYPHENYLENE SULFIDE (PPS) PER MIL-M-24519, TYPE: GST-40F OR POLYESTER PER MIL-M-24519, TYPE: GLCP-30F, OR PPS PER ASTM D4067, COLOR, BLACK

CONTACT
 MAT'L: BRASS ALLOY OR BERYLLIUM COPPER
 FINISH: GOLD PER MIL-G-45204, TYPE II, GRADE C, CLASS 1 IN CONTACT MATING AREA, .000010 MIN GOLD PER MIL-G-45204 ON CONTACT BODY ALL OVER NICKEL PER QQ-N-290, .000050 MIN THICK



N	M	L	J	H	G	F	E	D	C	B	A	MS	NO OF POS	SHELL SIZE	AMP PN ON CONNECTOR	PART NUMBER												
.043 .037	[1.09] [0.94]	.176 .136	[4.47] [3.45]	.040 .020	[1.02] [0.51]	.544 .524	[13.82] [13.31]	2.188 2.168	[55.58] [55.07]	.248 .238	[6.30] [6.05]	.439 .419	[11.15] [10.64]	.620 .590	[15.75] [14.99]	.428 .418	[10.87] [10.62]	2.411 2.401	[61.24] [60.99]	2.069 2.059	[52.55] [52.30]	2.650 2.620	[67.31] [66.55]	MS18277-1	50	5	1218291-5	1-1218291-0
.043 .037	[1.09] [0.94]	.176 .136	[4.47] [3.45]	.040 .020	[1.02] [0.51]	.432 .412	[10.97] [10.46]	2.282 2.262	[57.96] [57.45]	.248 .238	[6.30] [6.05]	.439 .419	[11.15] [10.64]	.509 .479	[12.93] [12.17]	.316 .306	[8.03] [7.77]	2.505 2.495	[63.63] [63.37]	2.164 2.154	[54.97] [54.71]	2.744 2.714	[69.70] [68.94]	MS18276-1	37	4	1218291-4	1218291-9
.043 .037	[1.09] [0.94]	.176 .136	[4.47] [3.45]	.040 .029	[1.02] [0.74]	.432 .412	[10.97] [10.46]	1.635 1.615	[41.53] [41.02]	.248 .238	[6.30] [6.05]	.439 .419	[11.15] [10.64]	.509 .479	[12.93] [12.17]	.316 .306	[8.03] [7.77]	1.857 1.847	[47.17] [46.91]	1.516 1.506	[38.51] [38.25]	2.103 2.073	[53.42] [52.65]	MS18275-1	25	3	1218291-3	1218291-8
.043 .037	[1.09] [0.94]	.176 .136	[4.47] [3.45]	.040 .020	[1.02] [0.51]	.432 .412	[10.97] [10.46]	1.093 1.073	[27.76] [27.25]	.248 .238	[6.30] [6.05]	.439 .419	[11.15] [10.64]	.509 .479	[12.93] [12.17]	.316 .306	[8.03] [7.77]	1.317 1.307	[33.45] [33.20]	.976 .966	[24.79] [24.54]	1.556 1.526	[39.52] [38.76]	MS18274-1	15	2	1218291-2	1218291-7
.043 .037	[1.09] [0.94]	.176 .136	[4.47] [3.45]	.040 .020	[1.02] [0.51]	.432 .412	[10.97] [10.46]	.769 .749	[19.53] [19.02]	.248 .238	[6.30] [6.05]	.439 .419	[11.15] [10.64]	.509 .479	[12.93] [12.17]	.316 .306	[8.03] [7.77]	.989 .979	[25.12] [24.87]	.648 .638	[16.46] [16.21]	1.228 1.198	[31.19] [30.43]	MS18273-1	9	1	1218291-1	1218291-6
.043 .037	[1.09] [0.94]	.176 .136	[4.47] [3.45]	.040 .029	[1.02] [0.74]	.544 .524	[13.82] [13.31]	2.188 2.168	[55.58] [55.07]	.248 .238	[6.30] [6.05]	.439 .419	[11.15] [10.64]	.620 .590	[15.75] [14.99]	.428 .418	[10.87] [10.62]	2.411 2.401	[61.24] [60.99]	2.069 2.059	[52.55] [52.30]	2.650 2.620	[67.31] [66.55]	MS18277-1	50	5	1218291-5	1218291-5
.043 .037	[1.09] [0.94]	.176 .136	[4.47] [3.45]	.040 .020	[1.02] [0.51]	.432 .412	[10.97] [10.46]	2.282 2.262	[57.96] [57.45]	.248 .238	[6.30] [6.05]	.439 .419	[11.15] [10.64]	.509 .479	[12.93] [12.17]	.316 .306	[8.03] [7.77]	2.505 2.495	[63.63] [63.37]	2.164 2.154	[54.97] [54.71]	2.744 2.714	[69.70] [68.94]	MS18276-1	37	4	1218291-4	1218291-4
.043 .037	[1.09] [0.94]	.176 .136	[4.47] [3.45]	.040 .029	[1.02] [0.74]	.432 .412	[10.97] [10.46]	1.635 1.615	[41.53] [41.02]	.248 .238	[6.30] [6.05]	.439 .419	[11.15] [10.64]	.509 .479	[12.93] [12.17]	.316 .306	[8.03] [7.77]	1.857 1.847	[47.17] [46.91]	1.516 1.506	[38.51] [38.25]	2.103 2.073	[53.42] [52.65]	MS18275-1	25	3	1218291-3	1218291-3
.043 .037	[1.09] [0.94]	.176 .136	[4.47] [3.45]	.040 .020	[1.02] [0.51]	.432 .412	[10.97] [10.46]	1.093 1.073	[27.76] [27.25]	.248 .238	[6.30] [6.05]	.439 .419	[11.15] [10.64]	.509 .479	[12.93] [12.17]	.316 .306	[8.03] [7.77]	1.317 1.307	[33.45] [33.20]	.976 .966	[24.79] [24.54]	1.556 1.526	[39.52] [38.76]	MS18274-1	15	2	1218291-2	1218291-2
.043 .037	[1.09] [0.94]	.176 .136	[4.47] [3.45]	.040 .020	[1.02] [0.51]	.432 .412	[10.97] [10.46]	.769 .749	[19.53] [19.02]	.248 .238	[6.30] [6.05]	.439 .419	[11.15] [10.64]	.509 .479	[12.93] [12.17]	.316 .306	[8.03] [7.77]	.989 .979	[25.12] [24.87]	.648 .638	[16.46] [16.21]	1.228 1.198	[31.19] [30.43]	MS18273-1	9	1	1218291-1	1218291-1

THIS DRAWING IS A CONTROLLED DOCUMENT.

DIMENSIONS: INCHES
 TOLERANCES UNLESS OTHERWISE SPECIFIED:
 0 PLC ± .0005
 1 PLC ± .0005
 2 PLC ± .0005
 3 PLC ± .0005
 4 PLC ± .0005
 ANGLES ± .0005

MATERIAL: SEE CALLOUTS
 FINISH: SEE CALLOUTS

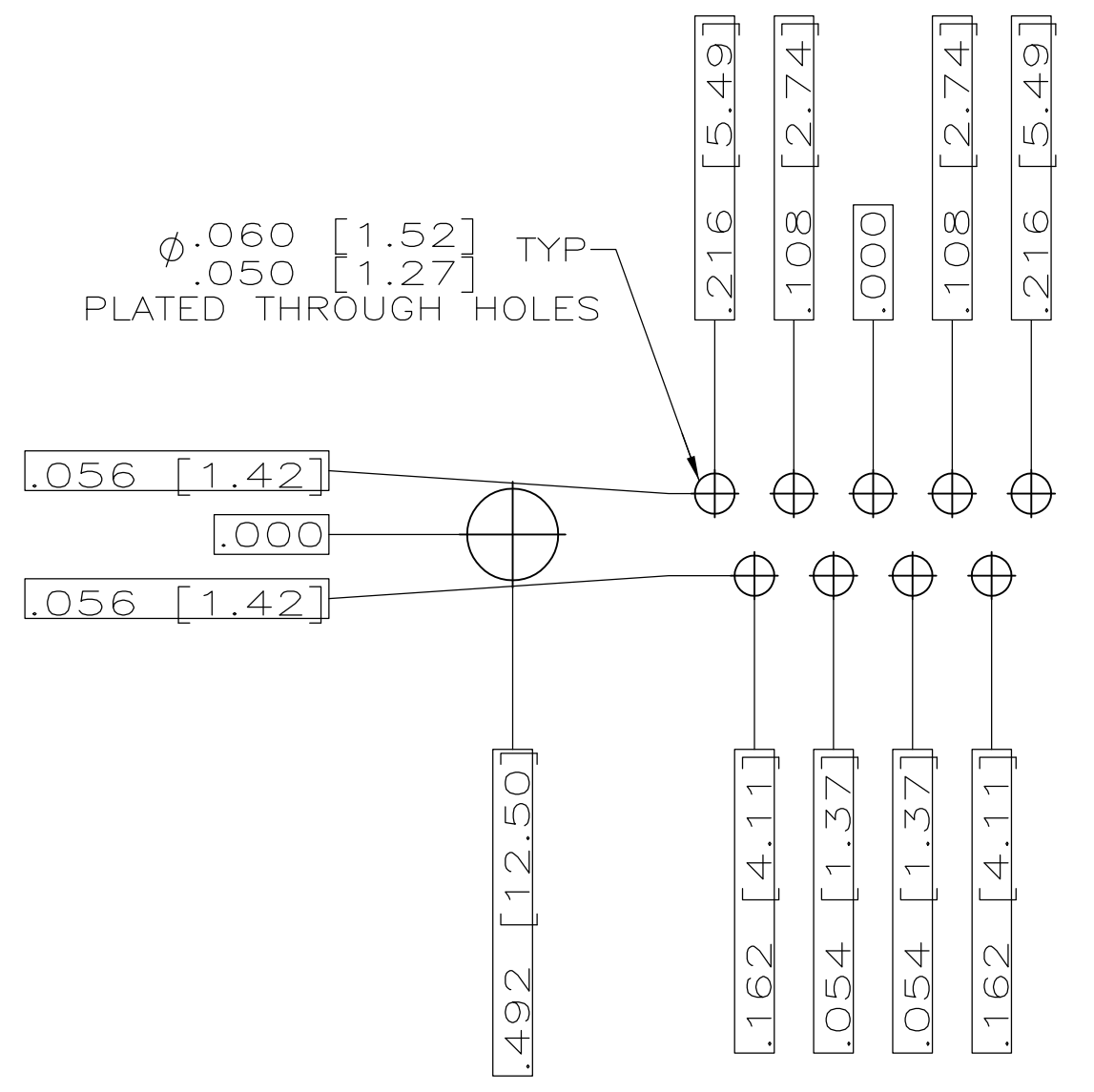
DWG: C.C. THOMAS 9-16-99
 CHK: H. WYNKOOP 9-17-99
 APD: H. WYNKOOP 9-17-99

Tyco Electronics Corporation
 Harrisburg, PA 17105-3608

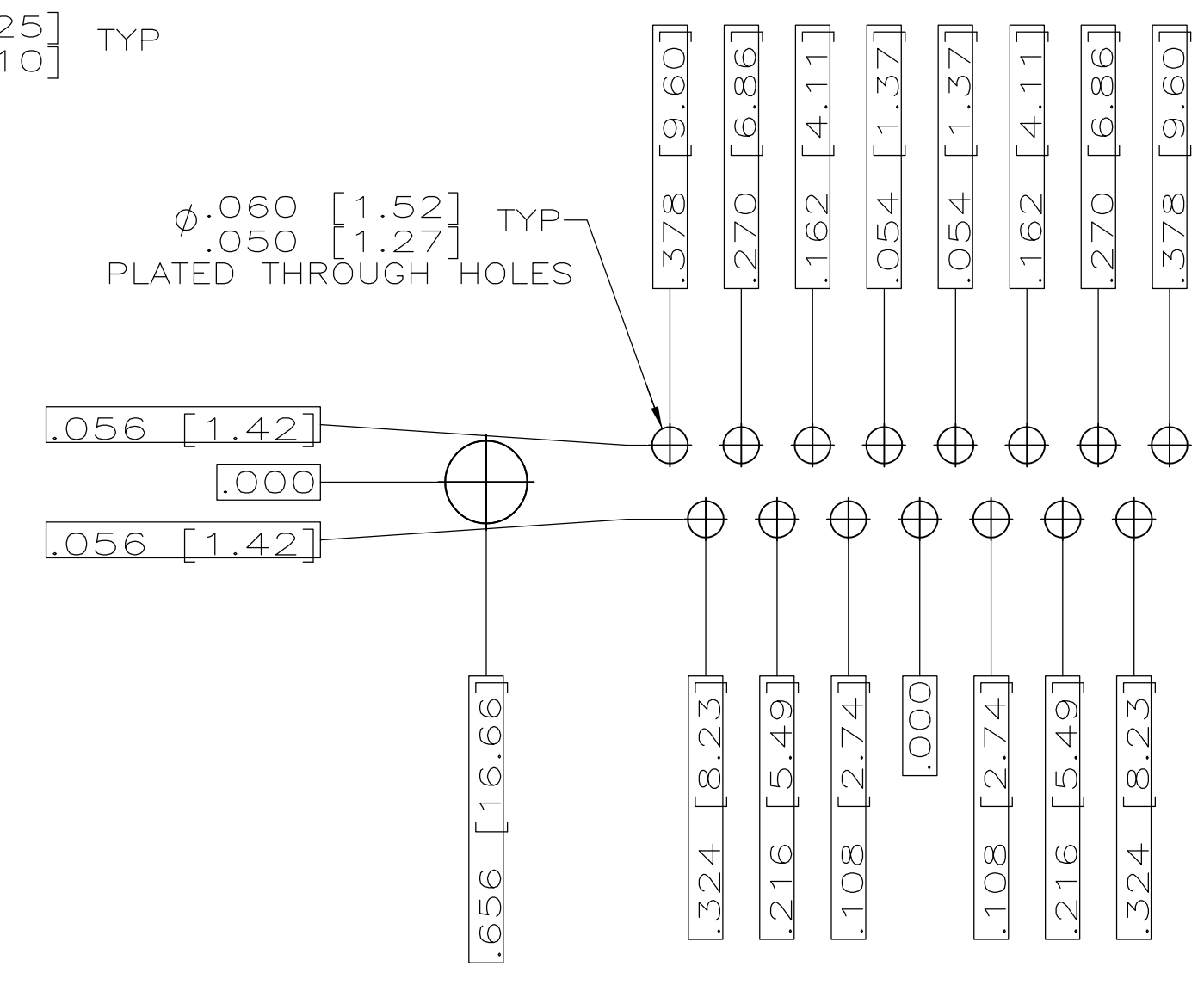
NAME: AMPLITE RECEPTACLE ASSY, LOW PROFILE
 SIZE 20 POSTED CONTACTS
 SERIES 109, SHELL SIZE 1 THRU 5

APPLICATION SPEC: ---
 SIZE: A1
 CASE CODE: 00779
 DRAWING NO: 1218291
 WEIGHT: ---
 CUSTOMER DRAWING: ---

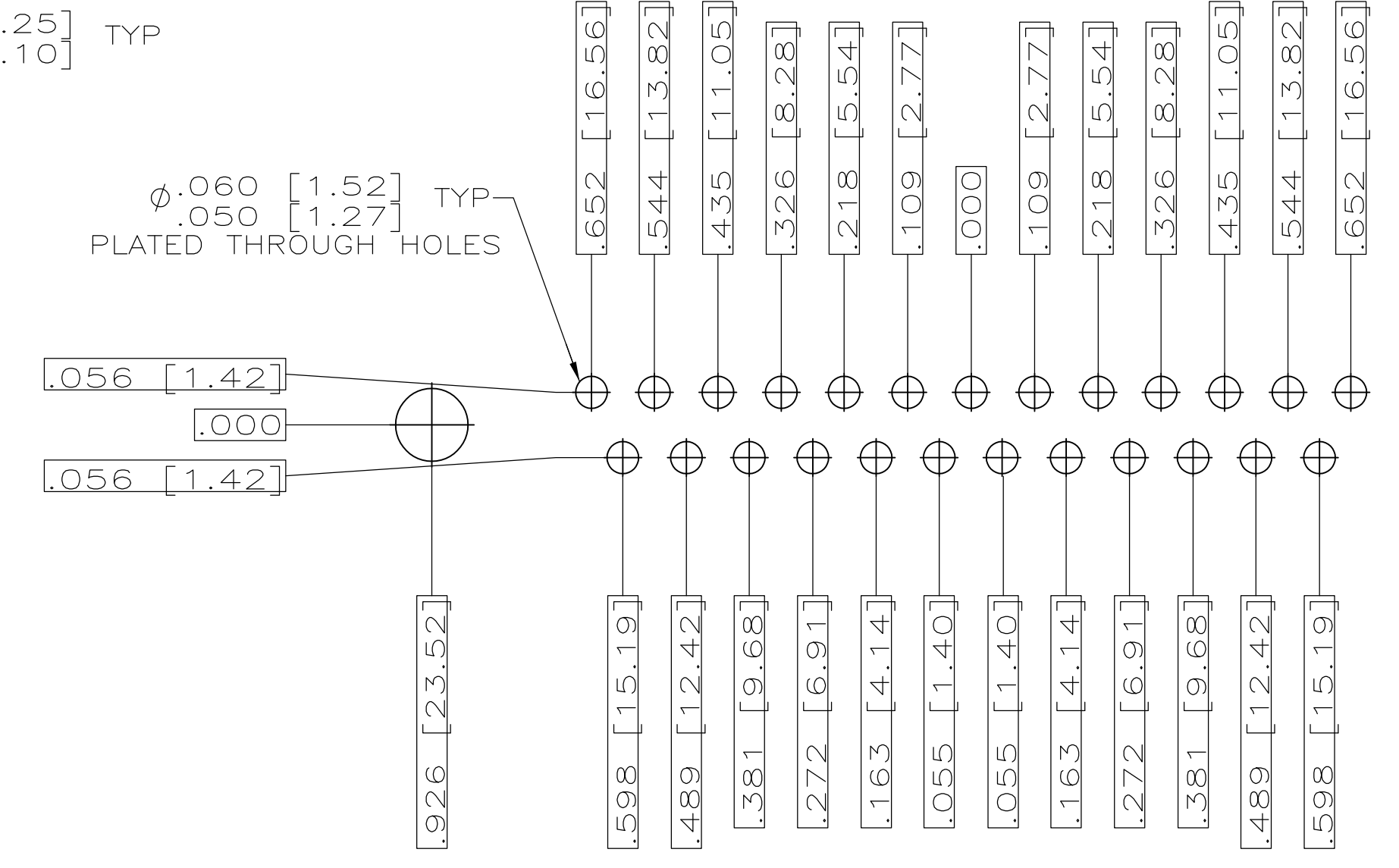
SCALE: 4:1
 SHEET: 1 OF 2
 REV: D



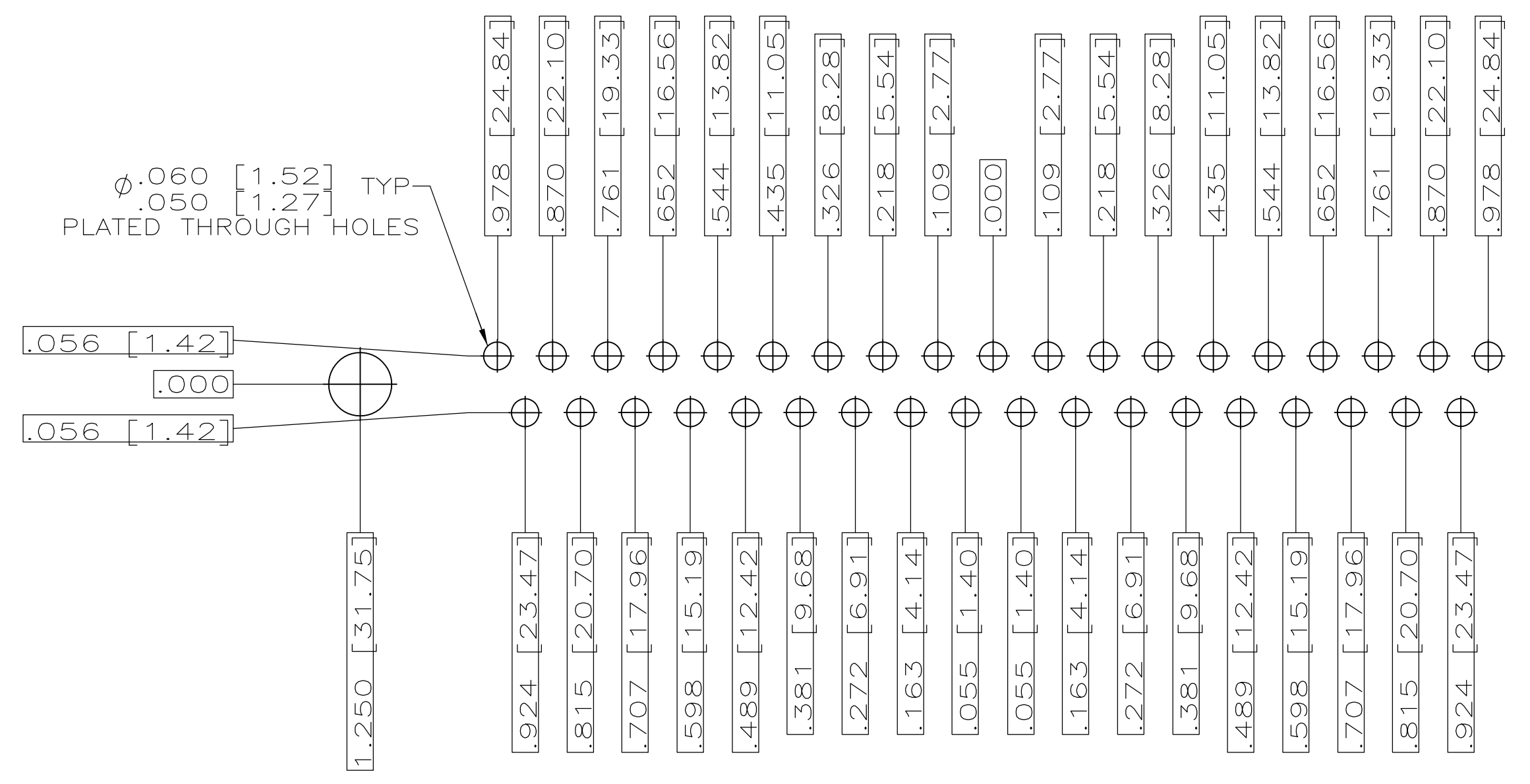
RECOMMENDED P.C. BOARD LAYOUT
 SHELL SIZE 1 (9 POSITION) Δ



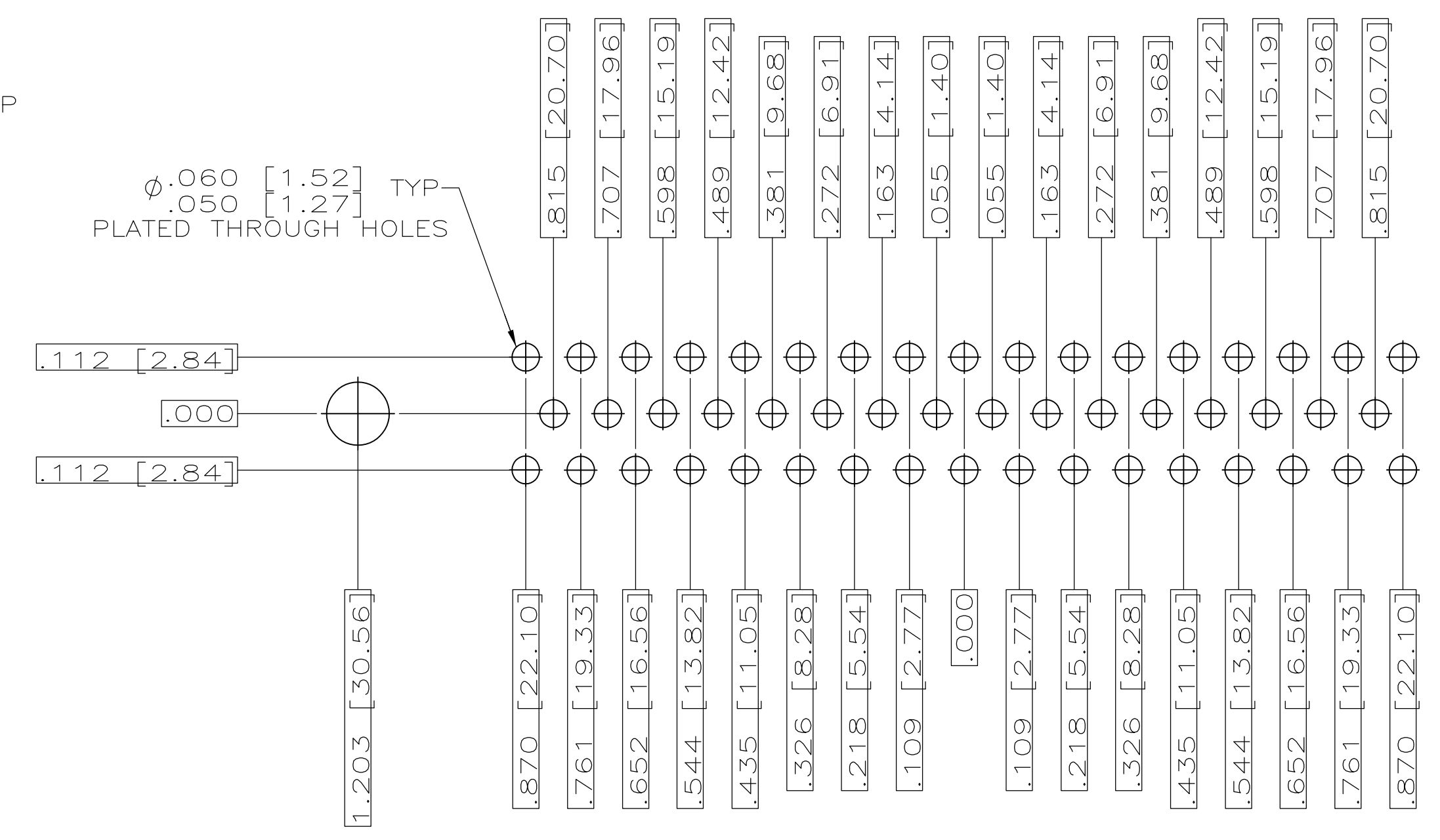
RECOMMENDED P.C. BOARD LAYOUT
 SHELL SIZE 2 (15 POSITION) Δ



RECOMMENDED P.C. BOARD LAYOUT
 SHELL SIZE 3 (25 POSITION) Δ



RECOMMENDED P.C. BOARD LAYOUT
 SHELL SIZE 4 (37 POSITION) Δ



RECOMMENDED P.C. BOARD LAYOUT
 SHELL SIZE 5 (50 POSITION) Δ

THIS DRAWING IS A CONTROLLED DOCUMENT.		DIN C.C.THOMAS 9-16-99	Tyco Electronics Corporation Harrisburg, PA 17105-3608	
DIMENSIONS: INCHES		CHK H.WYNKOOP 9-17-99	NAME H.WYNKOOP	
TOLERANCES UNLESS OTHERWISE SPECIFIED: 0 PLC 1 PLC 2 PLC 3 PLC 4 PLC ANGLES		APPRO H.WYNKOOP 9-17-99	PRODUCT SPEC APPLICATION SPEC	
MATERIAL SEE CALLOUTS		FINISH SEE CALLOUTS	WEIGHT -	RESTRICTED TO -
CUSTOMER DRAWING		SIZE A1	SCALE 4:1	SHEET 2 OF 2
DRAWING NO. 00779		DRAWING NO. 1218291		REV D